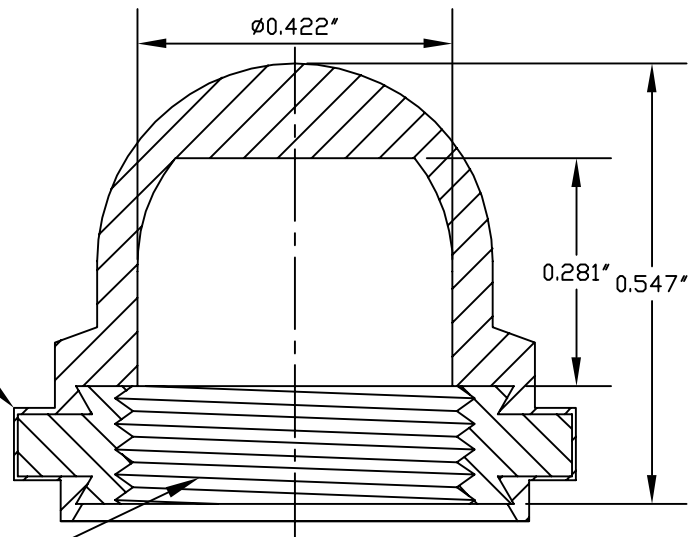
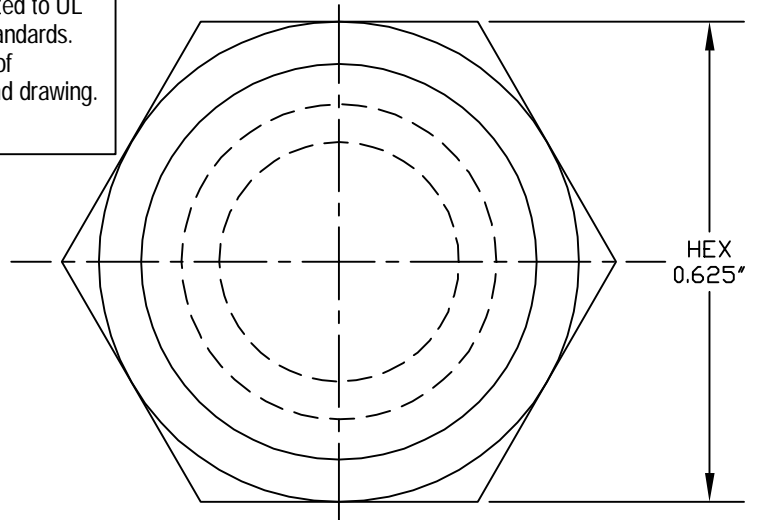


SPECIFICATIONS

Material: E-SEELS -- Silicone rubber polymer type ASTM D 1418
Mounting Nut: E-SEELS: Brass, black-oxide
Temperature Range: E-SEELS: -80°F to +400°F
Pressure Range: Exceeds 15 psi internal and 1500 psi external.
Operational Life: 50,000 actuations (minimum).
Shelf Life: Excess of 25 years.
Resistant to: Salt spray, sunlight, ozone, weather, fungus, and most acids and lubricating oils
Agency Recognition: E-SEELS and HEXSEALS are UL-listed to UL Std. 50 types 1-13, and meet CSA standards.
Installation: If a reducing adaptor is required - see page 14 of HEXSEAL catalog HEX200 for part numbers and drawing.



PERMISSIBLE RUBBER
 OVERLAY 0.005 MAX.

15/32-32NS-2B

| | | | |
|---|--|----------------|-----------------------------|
| J | REDRAWN | S. GOK | 09.29.09 |
| I | CAD COMPUTER GENERATED | | 09.23.02 |
| H | UPDATED, ADDED ORDER NUMBERS, DWG NO. WAS 12/31/SERIES | W.P. | 11.24.76 |
| G | UPDATED | R.C. | 08.04.74 |
| F | REDRAWN | TONY C. | 12.11.69 |
| REV. | DESCRIPTION | | DATE |
| MAXIMUM AND MINIMUM MEASUREMENTS ARE STATED DIRECTLY ON EACH DIMENSION. | TITLE: BOOT, PUSH BUTTON SWITCH (C1231/41) | ENG. M. MORSE | 01.21.60 |
| MAT'L: SILICONE RUBBER ASTM D 1418 | | DWN. S. GOK | 09.29.09 |
| | | CHKD. J. CELLA | 09.29.09 |
| FINISH: BLACK | APM-HEXSEAL CORPORATION | SCALE 4 : 1 | DWG. NO. (C1231/41) E-SEEL® |

THIS DRAWING COVERS PROPRIETARY ITEM AND IS THE PROPERTY OF THE APM-HEXSEAL CORPORATION.
 THIS DRAWING IS NOT TO BE COPIED OR USED WITHOUT THE WRITTEN APPROVAL OF AN OFFICER OF THE APM-HEXSEAL CORPORATION.